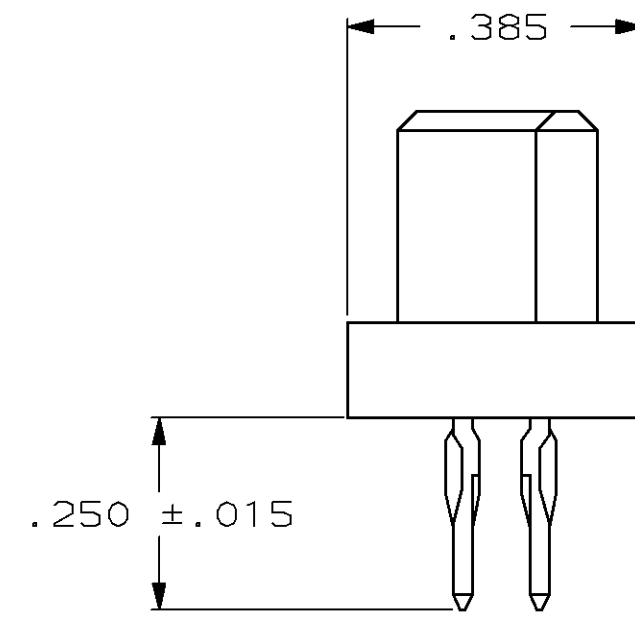
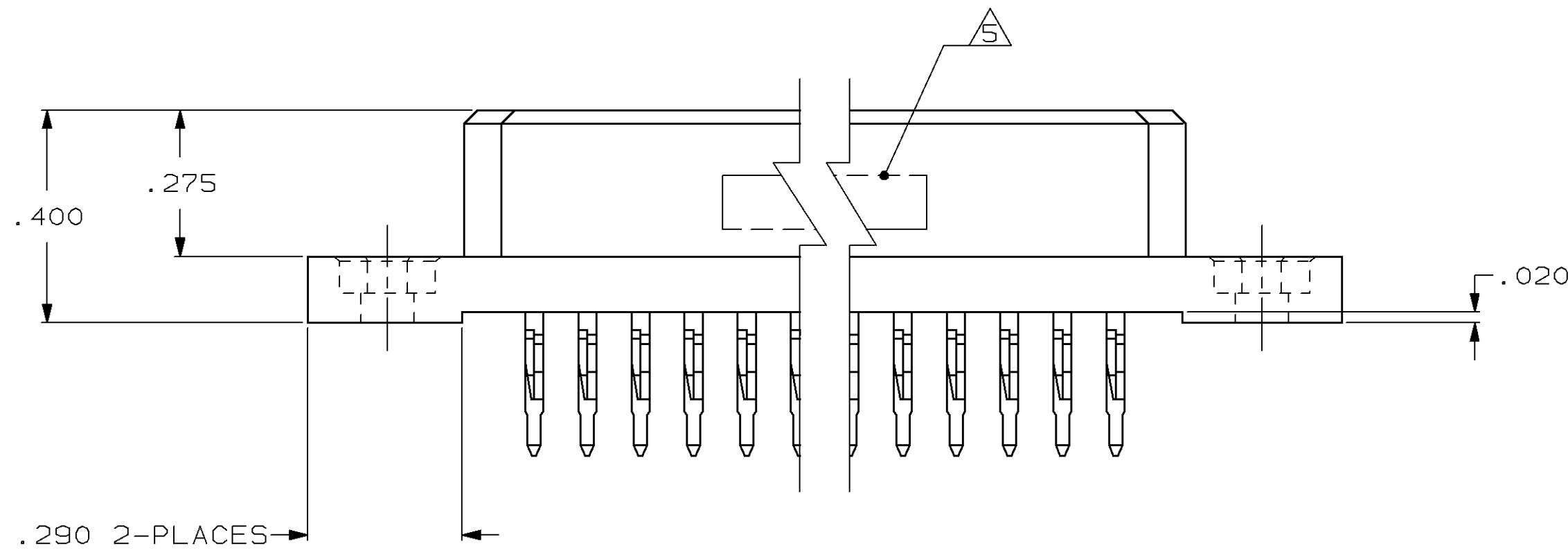
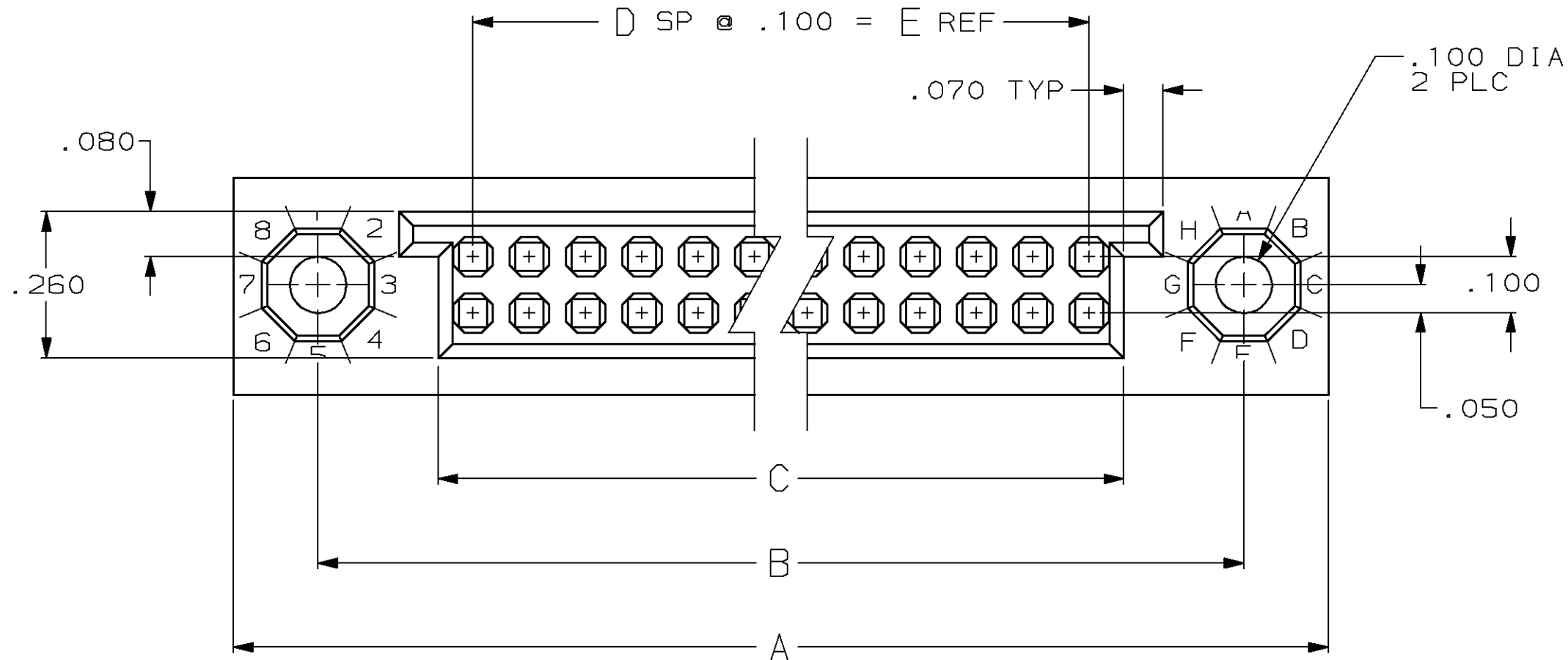


THIS DRAWING IS UNPUBLISHED. RELEASED FOR PUBLICATION, 19 .
 © COPYRIGHT 19 BY AMP INCORPORATED, HARRISBURG, PA. ALL INTERNATIONAL RIGHTS RESERVED. AMP PRODUCTS MAY BE COVERED BY U.S. AND FOREIGN PATENTS AND/OR PATENTS PENDING.

REVISIONS					
P	F	ZONE	LTR	DESCRIPTION	DATE APPROVED
			O	WAS 5248-818	12/11/84 RKS
			A	ECNS AB-0994, AB-1051 AND AB-1055	11/11/85 DLE
			A ₁	ECN AB-1135	2/86 WZ
			A ₂	ECN AB-1697, REMOVE METRIC.	7/86 db
			A ₃	ADD 1--3; ECN AB-1835	10/86 db
			A ₄	ECN AD2175	2/16/88 LSB
			A ₅	REVISED PER ECN AD3230	02/27/89 DLH
			B	REV. PER ECN AD5154	01/07/91 TH
			C	REV. PER ECN AD6608	8-13-92 FK
			D	ECN.0010-0837-93 CJ	8-27-93 JDW
			E	PER EC 0010-1248-95 T.S.	10-31-96 GS

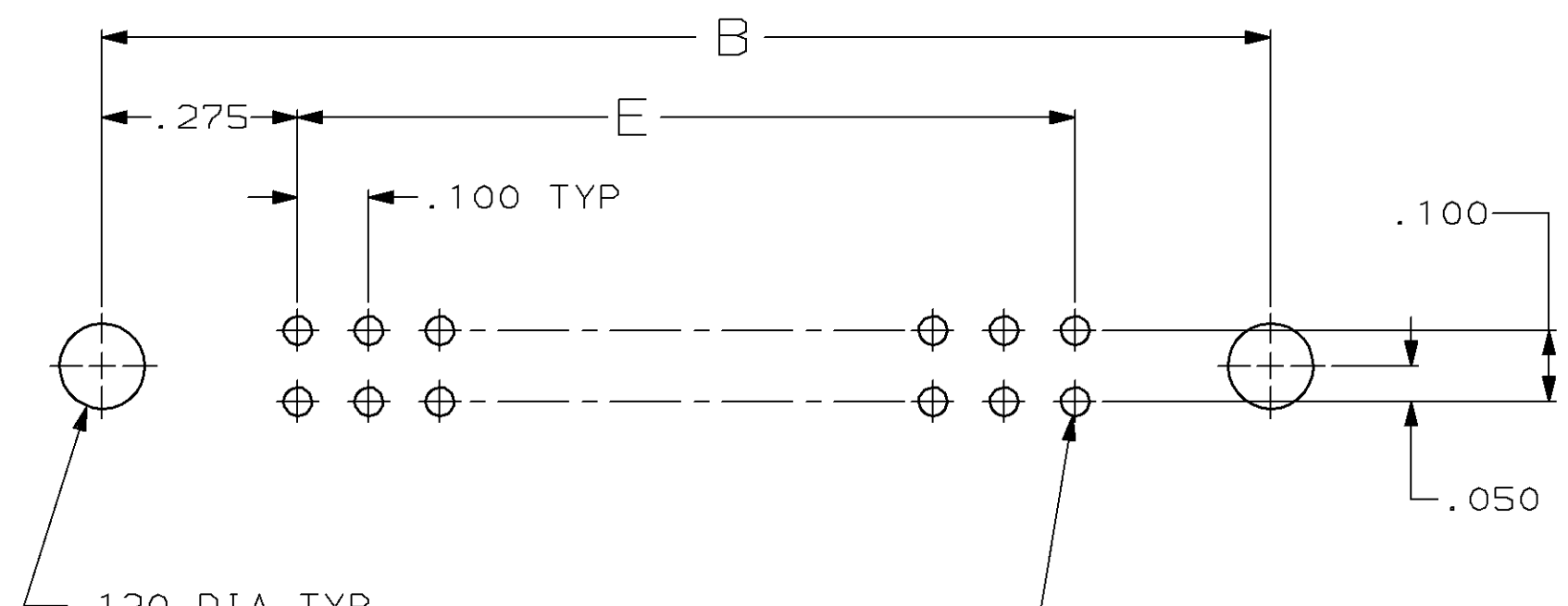


UNLESS OTHERWISE SPECIFIED DIMENSIONS ARE IN INCHES. TOLERANCES ON: DECIMALS ±.005 ANGLES ±		CONTRACT NO DR R. SEIFRIED 12/11/84 CHK G. STEINHAUER 10/9/86 APPD G. STEINHAUER 10/9/86 APPD E. PARSONS 10/9/86 DSGN APPD OTHER APPD		PART NO	
MATERIAL HSG ① CONT ②		FINISH CONT ③		AMP INCORPORATED Harrisburg, Pa. NAME RECEPTACLE CONNECTOR WITH .250 LONG ACTION PIN POST, 2-ROW SIZE C FSCM NO 00779 DRAWING NO 533650 SCALE 4:1 SHEET 1 of 2	

THIS DRAWING IS UNPUBLISHED. RELEASED FOR PUBLICATION, 19 .
 © COPYRIGHT 19 BY AMP INCORPORATED, HARRISBURG, PA. ALL INTERNATIONAL RIGHTS RESERVED. AMP PRODUCTS MAY BE COVERED BY U.S. AND FOREIGN PATENTS AND/OR PATENTS PENDING.

		REVISIONS				LOC	DIST
P	F	ZONE	LTR	DESCRIPTION	DATE	AD	25
			E	SEE SHEET 1			

- ① HSG MATL: POLYPHENYLENE SULFIDE, COLOR-NATURAL (BROWN).
- ② CONTACT MATL: PHOSPHOR BRONZE.
- ③ CONTACT FINISH: .000050-.000100 NICKEL UNDERPLATE ALL OVER. .000030 GOLD IN CONTACT AREA. TIN-LEAD-PLATED POSTS.
- ④ ACTION PIN POSTS REQUIRE .093 MIN THK PC BOARD. RECOMMENDED PC BOARD HOLES ARE .0453 DIA PLATED THROUGH WITH .001-.003 COPPER, WITH .0003 MIN TIN-LEAD PLATING. FINISHED HOLE AFTER PLATING IS .037-.043 DIA.
- ⑤ AMP, PART NO & DATE CODE MARKED IN THIS APPROXIMATE AREA.



RECOMMENDED PC BOARD LAYOUT
 .037-.043 DIA TYP
 ④

	9.900	99	10.024	10.450	10.750	200	1-533650-9
OBSOLETE	9.400	94	9.524	9.950	10.250	190	1-533650-8
OBSOLETE	8.900	89	9.024	9.450	9.750	180	1-533650-7
OBSOLETE	8.400	84	8.524	8.950	9.250	170	1-533650-6
OBSOLETE	7.900	79	8.024	8.450	8.750	160	1-533650-5
OBSOLETE	7.400	74	7.524	7.950	8.250	150	1-533650-4
OBSOLETE	6.900	69	7.024	7.450	7.750	140	1-533650-3
OBSOLETE	6.400	64	6.524	6.950	7.250	130	1-533650-2
OBSOLETE	5.900	59	6.024	6.450	6.750	120	1-533650-1
OBSOLETE	5.400	54	5.524	5.950	6.250	110	1-533650-0
OBSOLETE	4.900	49	5.024	5.450	5.750	100	533650-9
OBSOLETE	4.400	44	4.524	4.950	5.250	90	533650-8
OBSOLETE	3.900	39	4.024	4.450	4.750	80	533650-7
OBSOLETE	3.400	34	3.524	3.950	4.250	70	533650-6
OBSOLETE	2.900	29	3.024	3.450	3.750	60	533650-5
OBSOLETE	2.400	24	2.524	2.950	3.250	50	533650-4
OBSOLETE	1.900	19	2.024	2.450	2.750	40	533650-3
OBSOLETE	1.400	14	1.524	1.950	2.250	30	533650-2
OBSOLETE	.900	9	1.024	1.450	1.750	20	533650-1

	E	D	C	B	A	POSN	PART NUMBER
UNLESS OTHERWISE SPECIFIED DIMENSIONS ARE IN INCHES. TOLERANCES ON: DECIMALS ±.005 ANGLES ±	CONTRACT NO		AMP INCORPORATED Harrisburg, Pa.				
	DR R. SEIFRIED 12/11/84		NAME RECEPTACLE CONNECTOR WITH .250 LONG ACTION PIN POST, 2-ROW				
MATERIAL HSG ① CONT ②	CHK G. STEINHAEUER 10/9/86		APPD G. STEINHAEUER 10/9/86				
	APPD E. PARSONS 10/9/86		APPD E. PARSONS 10/9/86				
FINISH CONT ③	DSGN APPD		SIZE C	FSCM NO 00779	DRAWING NO 533650		
	OTHER APPD		SCALE 4:1	-		SHEET 2 of 2	